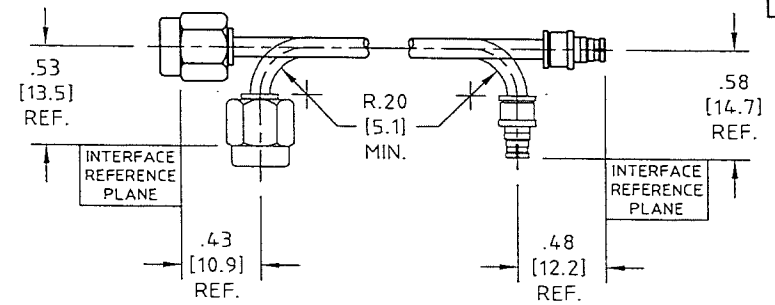


ASSEMBLY NO.	DIM. "L"	2.0 GHz		12.4 GHz		18.0 GHz	
		VSWR	I.L. dB	VSWR	I.L. dB	VSWR	I.L. dB
minibend LS-2.5	2.50 (63.5)	1.25:1	0.19	1.30:1	0.39	1.45:1	0.57
minibend LS-3	3.00 (76.2)	1.25:1	0.20	1.30:1	0.43	1.45:1	0.61
minibend LS-3.5	3.50 (88.9)	1.25:1	0.21	1.30:1	0.47	1.45:1	0.65
minibend LS-4	4.00 (101.6)	1.25:1	0.23	1.30:1	0.50	1.45:1	0.68
minibend LS-4.5	4.50 (114.3)	1.25:1	0.24	1.30:1	0.53	1.45:1	0.72
minibend LS-5	5.00 (127.0)	1.25:1	0.25	1.30:1	0.56	1.45:1	0.76
minibend LS-5.5	5.50 (139.7)	1.25:1	0.26	1.30:1	0.59	1.45:1	0.79
minibend LS-6	6.00 (152.4)	1.25:1	0.28	1.30:1	0.62	1.45:1	0.83
minibend LS-6.5	6.50 (165.1)	1.25:1	0.29	1.30:1	0.65	1.45:1	0.87
minibend LS-7	7.00 (177.8)	1.25:1	0.30	1.30:1	0.68	1.45:1	0.90
minibend LS-8	8.00 (203.2)	1.25:1	0.32	1.30:1	0.74	1.45:1	0.98
minibend LS-9	9.00 (228.6)	1.25:1	0.35	1.30:1	0.81	1.45:1	1.05
minibend LS-10	10.00 (254.0)	1.25:1	0.37	1.30:1	0.87	1.45:1	1.12
minibend LS-11	11.00 (279.4)	1.25:1	0.40	1.30:1	0.93	1.45:1	1.20
minibend LS-12	12.00 (304.8)	1.25:1	0.42	1.30:1	0.99	1.45:1	1.27
minibend LS-13	13.00 (330.2)	1.25:1	0.44	1.30:1	1.05	1.45:1	1.34
minibend LS-14	14.00 (355.6)	1.25:1	0.47	1.30:1	1.11	1.45:1	1.42
minibend LS-15	15.00 (381.0)	1.25:1	0.49	1.30:1	1.18	1.45:1	1.49
minibend LS-16	16.00 (406.4)	1.25:1	0.52	1.30:1	1.24	1.45:1	1.56
minibend LS-							

CONTROL DRAWING

minibend LS-XX

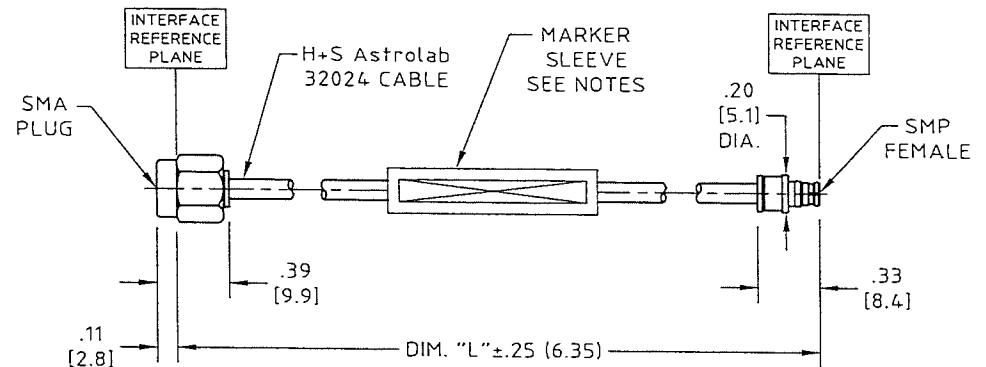


SHOWN ABOVE IS TYPICAL INSTALLATION.

ROHS 5/6 COMPLIANT

NOTES:

- DESCRIPTION:  
CABLE ASSEMBLY, SMA PLUG TO SMP FEMALE.
- CABLE:  
COAXIAL CABLE H+S Astrolab P/N 32024 MEETS OR EXCEEDS MIL-DTL-17 SEE H+S Astrolab CONTROL DRAWING FOR MATERIALS AND FINISHES.
- CONNECTOR -A-, SMA PLUG:  
H+S Astrolab P/N 29094C-32-24 INTERFACE DIMENSIONS IAW MIL-STD-348. SEE H+S Astrolab CONTROL DRAWING FOR MATERIALS AND FINISHES.
- CONNECTOR -B-, SMP FEMALE:  
H+S Astrolab P/N 29473C-32-24-1 IAW MIL-STD-348. SEE H+S Astrolab CONTROL DRAWING FOR MATERIALS AND FINISHES.
- MARKING:  
LOOSE, WHITE SLEEVING CAPTIVATED ON THE CABLE ASSEMBLY. MARKING WILL INCLUDE THE H+S Astrolab PART NUMBER, CAGE CODE AND DATE CODE OF DATE OF MANUFACTURE. OTHER MARKING AS DEFINED BY CUSTOMER.  
NO MARKING ON CABLE ASSEMBLIES SHORTER THAN 3.0". MARKING ON PACKING ONLY.
- ELECTRICAL CHARACTERISTICS:  
IMPEDANCE,  
50.0 Ohms NOMINAL.  
FREQUENCY, INSERTION LOSS AND VSWR  
SEE CHART.
- MECHANICAL:  
OPERATING TEMPERATURE RANGE,  
-55° C TO +125° C.  
PULL STRENGTH TO 15.0 LBS. [67 N].



UNLESS OTHERWISE SPECIFIED  
CONCENTRICITY .004 T.I.R.  
CORNERS AND FILLETS .005  
MAX. RADIUS OR CHAMFER.  
SURFACE FINISH 63 RMS  
MICROINCHES OR BETTER.

FRACTIONS	± 1/16
X	± .030
XX	± .015
XXX	± .005
ANGLES	± 1°
DO NOT SCALE DRAWING	

	NAME	DATE
PREP.	WJL	02/03/00
ELEC.	RF	08/24/00
MECH.	DPD	08/24/00
Q.C.		



THIS DRAWING CONTAINS PATENTABLE AND PROPRIETARY INFORMATION. THE DESIGN CANNOT BE USED WITHOUT WRITTEN PERMISSION OF HUBER + SUHNER ASTROLAB.

TITLE CABLE ASSEMBLY, minibend L TYPE, SMA PLUG TO SMP FEMALE.		SCALE 1:1	CODE IDENT. 16301	DWG NO. minibend LS-XX	REV N
THOS. TO BE IN ACCORD WITH U.S. DEPT. OF COMM. SCREW THD. STDS. FOR FEDERAL SERVICES 1950 SUPPL. TO HANDBOOK H 28.					

N	COMPANY LOGO UPDATE	01/15/13	EENG 2	<i>[Signature]</i>
REV.	DESCRIPTION	DATE	BY	APPROVED