

CONTROL DRAWING

29898CR-32-24

A

NOTES:

1: DESCRIPTION.

2.4 mm COMPATIBLE PLUG CONNECTOR FOR H+S Astrolab 32024E CABLE
 THIS CONNECTOR IS RUGGEDIZED AND IT IS SUITABLE FOR COMPLEX, CONGESTED INSTALLATIONS.
 WHEN INSTALLED AND BENT AT THE MINIMUM BEND RADIUS, THE CONNECTOR WILL TOLERATE MULTIPLE ±90° ROTATIONS AT THE CABLE CONNECTOR JUNCTION.

2. MATERIALS AND FINISHES

BODY, 2.4 mm NUT AND AND BACK NUT
 STEEL, CORROSION RESISTANT PER ASTM A-582, UNS No. S30300, COND. A, NON MAGNETIC.
 PASSIVATED PER SAE-AMS-2700 OR ASTM A-967. NO DICHROMATE SOLUTIONS USED.
 BACK NUT IS NICKEL ALLOY PLATED

CENTER CONDUCTOR
 BERYLLIUM COPPER ALLOY PER ASTM B-196, UNS No. C17300, TEMPER TD04(H).
 GOLD PLATED .000050 IN MIN. THK. (1.27 MICRO METERS) PER ASTM B-488, CODE C, TYPE II

OVER
 NICKEL PLATE, .000050 IN MIN. THK. PER SAE-AMS-QQ-N-290, OR ASTM B-689 TYPE 1.

DIELECTRIC
 POLYTETRAFLUOROETHYLENE (PTFE) PER ASTM D-1710 OR ASTM D-4894, TYPE I, GRADE 1.

RETAINING RING
 NO RETAINING RING PRESENT

O-RING.
 OPTIONAL O-RING PER CUSTOMER REQUEST.
 FLUOROSILICONE POLYMER PER SAE-AMS-R-25988.

STRAIN RELIEF
 NONE REQUIRED.

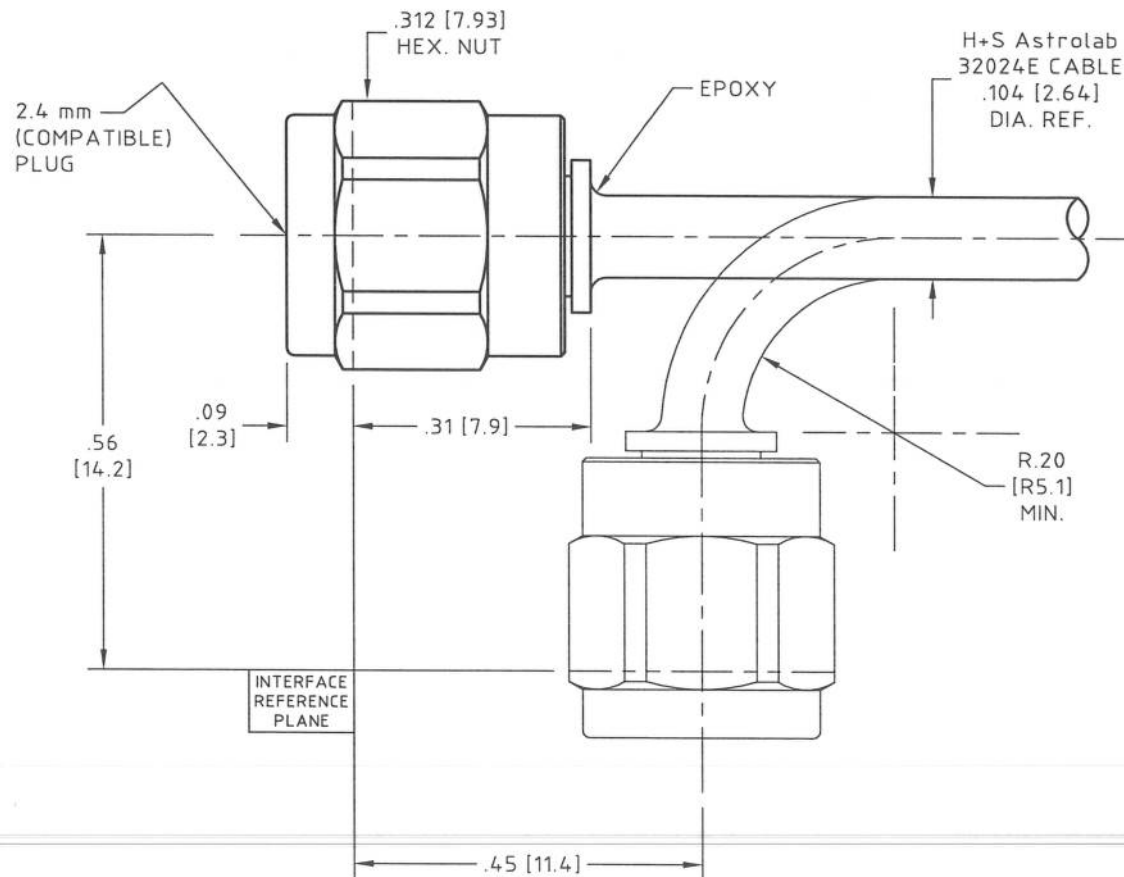
EPOXY
 TWO-COMPONENT HIGH TEMPERATURE EPOXY SYSTEM,
 OUTGASSING
 ASSEMBLY MEETS OR EXCEEDS NASA LOW OUTGASSING REQUIREMENTS.

3. ELECTRICAL CHARACTERISTICS:

IMPEDANCE
 50.0 Ohms NOMINAL.

FREQUENCY
 50.0 GHz MAX.

4. OPERATING TEMPERATURE
 -55°C TO +125°C.



A	ECN No. 15261	01/18/13	GS	APPROVED
REV.	DESCRIPTION	DATE	BY	APPROVED

UNLESS OTHERWISE SPECIFIED
 CONCENTRICITY .004 T.I.R.
 CORNERS AND FILLETS .005
 MAX. RADIUS OR CHAMFER.
 SURFACE FINISH 63 RMS
 MICROINCHES OR BETTER.

FRACTIONS	± 1/16
X	± .030
XX	± .015
XXX	± .005
ANGLES	± 1°
DO NOT SCALE DRAWING	

NAME	DATE
PREP. GS	01/18/13
ELEC.	
MECH.	
Q.C.	

HUBER+SUHNER
Astrolab

THIS DRAWING CONTAINS PATENTABLE AND PROPRIETARY INFORMATION. THE DESIGN CANNOT BE USED WITHOUT WRITTEN PERMISSION OF HUBER + SUHNER ASTROLAB.

TITLE	CONNECTOR, 2.4 mm (COMPATIBLE) PLUG minibend TYPE
THDS. TO BE IN ACCORD WITH U.S. DEPT. OF COMM. SCREW THD. STDS. FOR FEDERAL SERVICES 1950 SUPL. TO HANDBOOK H 28.	SCALE 4:1
CODE IDENT.	16301
DWG NO.	29898CR-32-24
REV	A