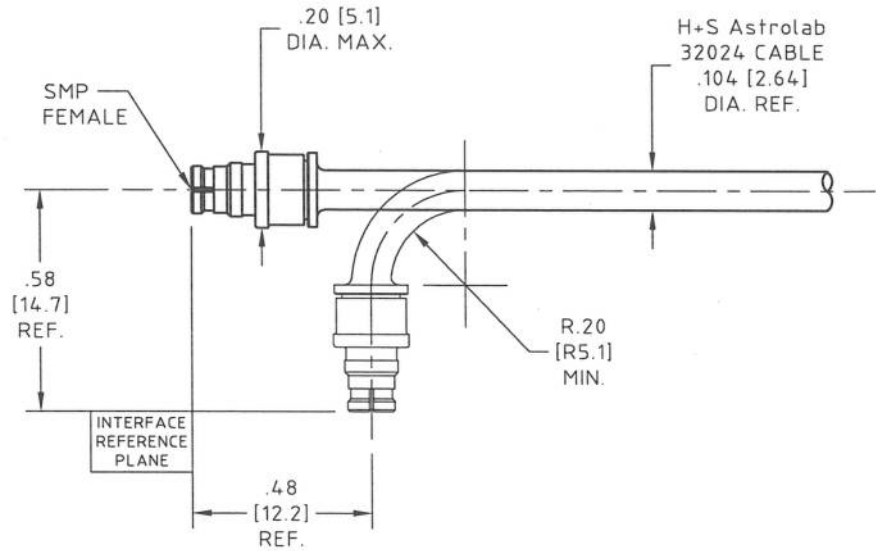


CONTROL DRAWING

29473C-32-24-1

B



NOTES:

- DESCRIPTION  
SMP FEMALE CONNECTOR FOR H+S Astrolab 32024 CABLE  
LOW LOSS, PHASE STABLE, astro - STEEL - flex II.  
MECHANICAL PERFORMANCE  
GUARANTEED 15.0 LBS [67 N] PULL FORCE.
- MATERIALS AND FINISHES  
SMP BODY, CENTER CONDUCTOR, SHIELD AND EMI RING  
BERYLLIUM COPPER ALLOY PER ASTM B-196,  
UNS No. C17300, TEMPER TD04(H),  
GOLD PLATED .000050 IN (1.27 μM) MIN. THK.  
PER ASTM B-488, CODE C, TYPE II, CLASS 1.27  
OVER  
NICKEL PLATE, .000050 IN (1.27 μM) MIN. THK.  
PER SAE-AMS-QQ-N-290, TYPE 1.  
BACK NUT  
STEEL, CORROSION RESISTANT PER ASTM A-582,  
UNS No. S30300, COND. A, NON MAGNETIC,  
GOLD PLATED .000050 IN (1.27 μM) MIN. THK.  
PER ASTM B-488, CODE C, TYPE II, CLASS 1.27  
OVER  
NICKEL ALLOY PLATE.  
DIELECTRIC,  
POLYTETRAFLUOROETHYLENE (PTFE) PER ASTM D-1710,  
OR ASTM D-4894, TYPE I, GRADE 1.  
OUTGASSING,  
ASSEMBLY MEETS OR EXCEEDS NASA  
LOW OUTGASSING REQUIREMENTS.
- ELECTRICAL CHARACTERISTICS:  
IMPEDANCE  
50.0 Ohms NOMINAL.  
FREQUENCY  
40.0 GHz MAX.
- CONNECTOR MEETS MIL-STD-348 AND  
MIL-PRF-31031.
- OPERATING TEMPERATURE RANGE  
-55° C TO +125° C

NAME	DATE	
PREP. KC	02/14/08	
ELEC.		
MECH. GSG	03/04/08	
Q.C.		THIS DRAWING CONTAINS PATENTABLE AND PROPRIETARY INFORMATION. THE DESIGN CANNOT BE USED WITHOUT WRITTEN PERMISSION OF HUBER + SUHNER ASTROLAB.

UNLESS OTHERWISE SPECIFIED  
CONCENTRICITY .004 T.I.R.  
CORNERS AND FILLETS .005  
MAX. RADIUS OR CHAMFER.  
SURFACE FINISH 63 RMS  
MICROINCHES OR BETTER.

FRACTIONS	± 1/16
X	± .030
XX	± .015
XXX	± .005
ANGLES	± 1°
DO NOT SCALE DRAWING	

TITLE  
**CONNECTOR, SMP FEMALE. minibend TYPE.**

B	ECN No. 15262	01/17/13	EF		THDS. TO BE IN ACCORD WITH U.S. DEPT. OF COMM. SCREW THD. STDS. FOR FEDERAL SERVICES 1950 SUPL. TO HANDBOOK H 28.	SCALE 2:1	CODE IDENT. 16301	DWG NO. 29473C-32-24-1	REV B
REV.	DESCRIPTION	DATE	BY	APPROVED					