

CONTROL DRAWING

29112C-32-24

D

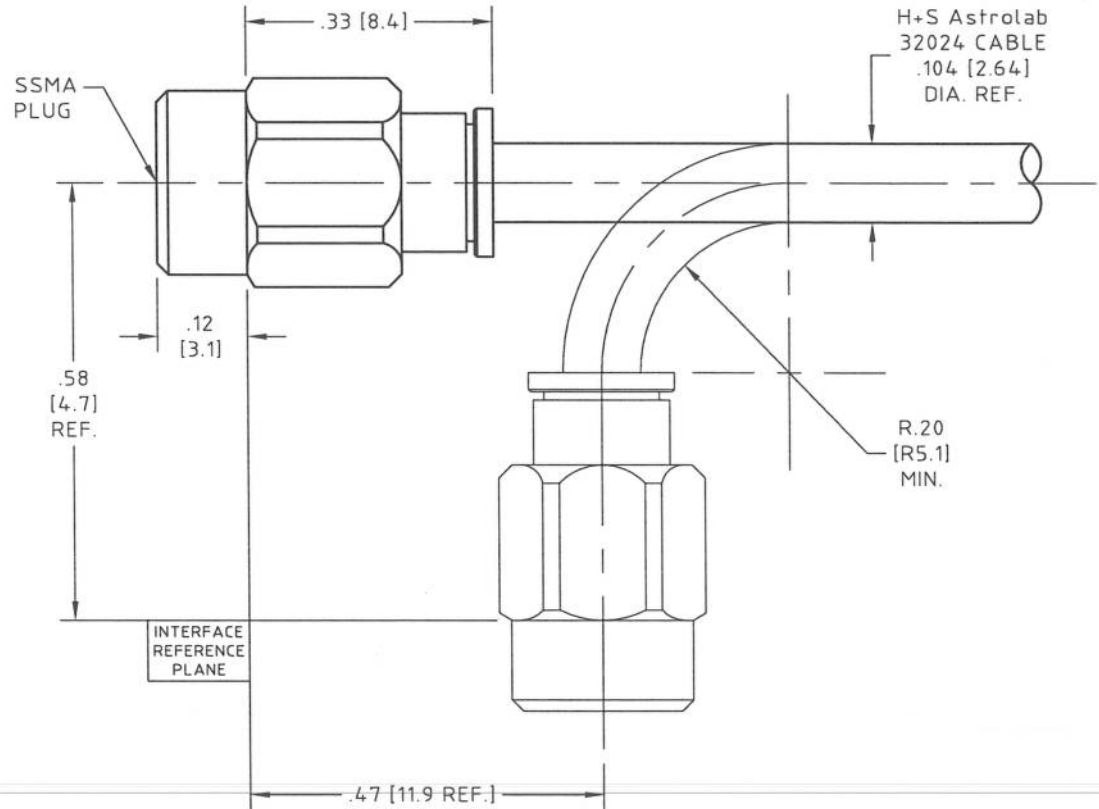
NOTES:

1. DESCRIPTION.
SSMA PLUG CONNECTOR FOR H+S Astrolab 32024 CABLE
astro - STEEL - flex II SERIES,
LOW LOSS/ PHASE STABLE.
MECHANICAL PERFORMANCE
GUARANTEED 15.0 LBS [67 N] PULL FORCE.
2. MATERIALS AND FINISHES
BODY, SSMA NUT AND BACK NUT
STEEL, CORROSION RESISTANT PER ASTM A-582,
UNS No. S30300, COND. A, NON MAGNETIC,
PASSIVATED PER SAE-AMS-2700 OR ASTM A-967.
NO DICHROMATE SOLUTIONS USED.
BACK NUT IS NICKEL ALLOY PLATED.
CENTER CONDUCTOR
BERYLLIUM COPPER ALLOY PER ASTM B-196,
UNS No. C17300, TEMPER TD04(H),
GOLD PLATED .000050 IN MIN. THK. (1.27 MICRO METERS)
PER ASTM B-488, CODE C, TYPE II,
OVER
NICKEL PLATE, .000050 IN MIN. THK. PER SAE-AMS-QQ-N-290,
OR ASTM B-689 TYPE 1.
DIELECTRIC
POLYTETRAFLUOROETHYLENE (PTFE) PER ASTM D-1710,
OR ASTM D-4894, TYPE I, GRADE 1.
RETAINING RING,
BERYLLIUM COPPER ALLOY PER ASTM B-196
UNS No. C17300.
O-RING.
OPTIONAL O-RING PER CUSTOMER REQUEST.
FLUOROSILICONE POLYMER PER MIL-R-25988
STRAIN RELIEF
NONE REQUIRED.
OUTGASSING,
ASSEMBLY MEETS OR EXCEEDS NASA
LOW OUTGASSING REQUIREMENTS.

3. ELECTRICAL CHARACTERISTICS:
IMPEDANCE
50.0 Ohms NOMINAL.
FREQUENCY
40.0 GHz MAX.

4. INTERFACE MEETS MIL-STD-348.
CONNECTOR PERFORMANCE PER MIL-PRF-39012.

5. OPERATING TEMPERATURE RANGE
-55° C TO +125° C.




3. ELECTRICAL CHARACTERISTICS:
IMPEDANCE
50.0 Ohms NOMINAL.
FREQUENCY
40.0 GHz MAX.
4. INTERFACE MEETS MIL-STD-348.
CONNECTOR PERFORMANCE PER MIL-PRF-39012.
5. OPERATING TEMPERATURE RANGE
-55° C TO +125° C.

UNLESS OTHERWISE SPECIFIED
CONCENTRICITY .004 T.I.R.
CORNERS AND FILLETS .005
MAX. RADIUS OR CHAMFER.
SURFACE FINISH 63 RMS
MICROINCHES OR BETTER.

FRACTIONS	± 1/16
X	± .030
XX	± .015
XXX	± .005
ANGLES	± 1°
DO NOT SCALE DRAWING	

	NAME	DATE
PREP.	GSG	09/18/01
ELEC.	RF	09/18/01
MECH.	DPD	09/18/01
Q.C.		



HUBER+SUHNER
Astrolab

THIS DRAWING CONTAINS PATENTABLE AND PROPRIETARY INFORMATION. THE DESIGN CANNOT BE USED WITHOUT WRITTEN PERMISSION OF HUBER + SUHNER ASTROLAB.

TITLE		CONNECTOR, SSMA PLUG, minibend TYPE.		
THDS. TO BE IN ACCORD WITH U.S. DEPT. OF COMM. SCREW THD. STDS. FOR FEDERAL SERVICES 1950 SUPL. TO HANDBOOK H 28.	SCALE	CODE IDENT.	DWG NO.	REV
	4:1	16301	29112C-32-24	D

D	ECN No. 15262	01/17/13	EF	<i>[Signature]</i>
REV.	DESCRIPTION	DATE	BY	APPROVED